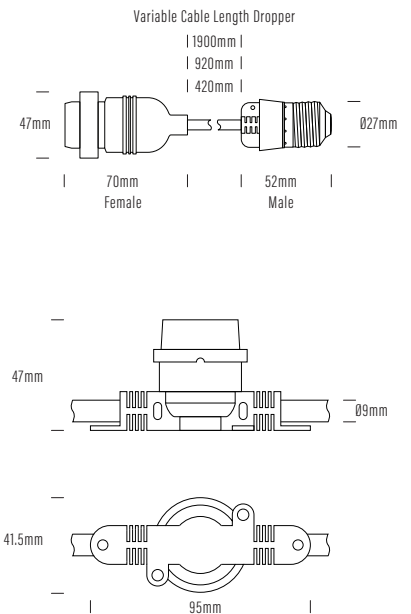


# Festoon Lighting



TECHNICAL	
PRODUCT CODE	AQF-C-050B
PRODUCT FAMILY	LED Flex & Festoon
MOUNTING	E27 Lamp holders @ 50cm Spacing
CONSTRUCTION	PVC Rubber & Polycarbonate Lens
ELECTRICAL	24V AC or DC
CABLE	Twin Core 1.5mm Square Cable
IP RATING	IP65 with globes installed
WARRANTY	3 Year Aqualux Warranty

CONFIGURE	
LED	2500K - AQF-G-001 2000K - AQF-G-002 2700K - AQF-G-003

ACCESSORY	
DROPPER	AQF-D-050 AQF-D-100 AQF-D-200

### Recommended

For run lengths over 3m, it is recommended to use a Cantenary Wire System to support the Festoon run. Cantenary Wire System not included.